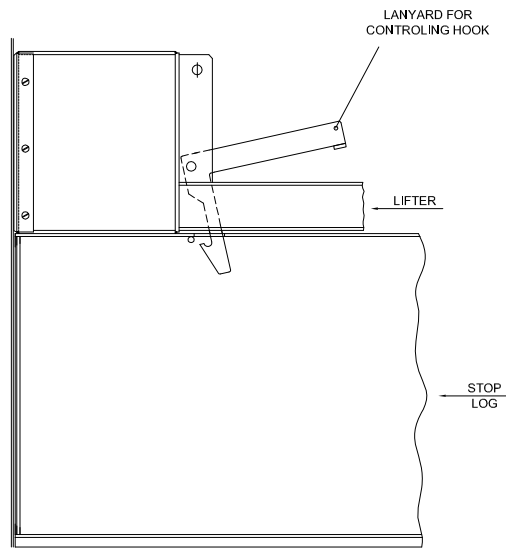
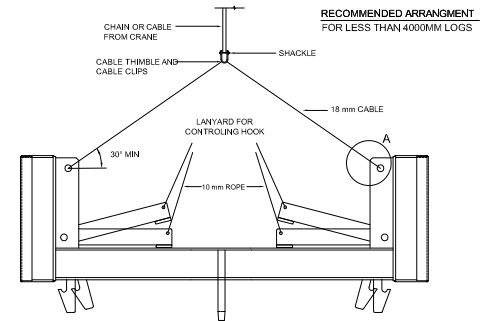
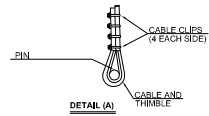
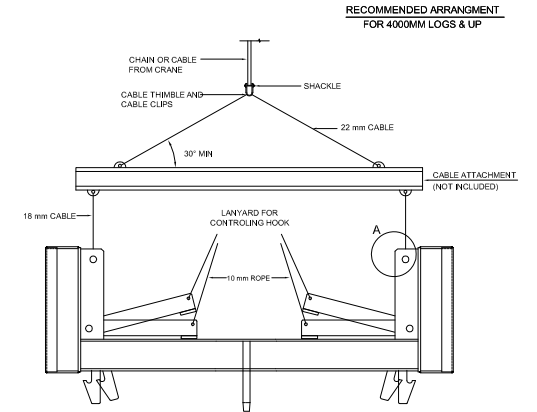


**LIFTER HOOK
ENGAGE LOG**



**LIFTER HOOK
DISENGAGE LOG**



WATERMAN INDUSTRIES OF EGYPT

**LOG / LIFTER
ARRANGMENT**

SIZE			
B	100612		
SCALE:	NONE	WT.:	SHEET: