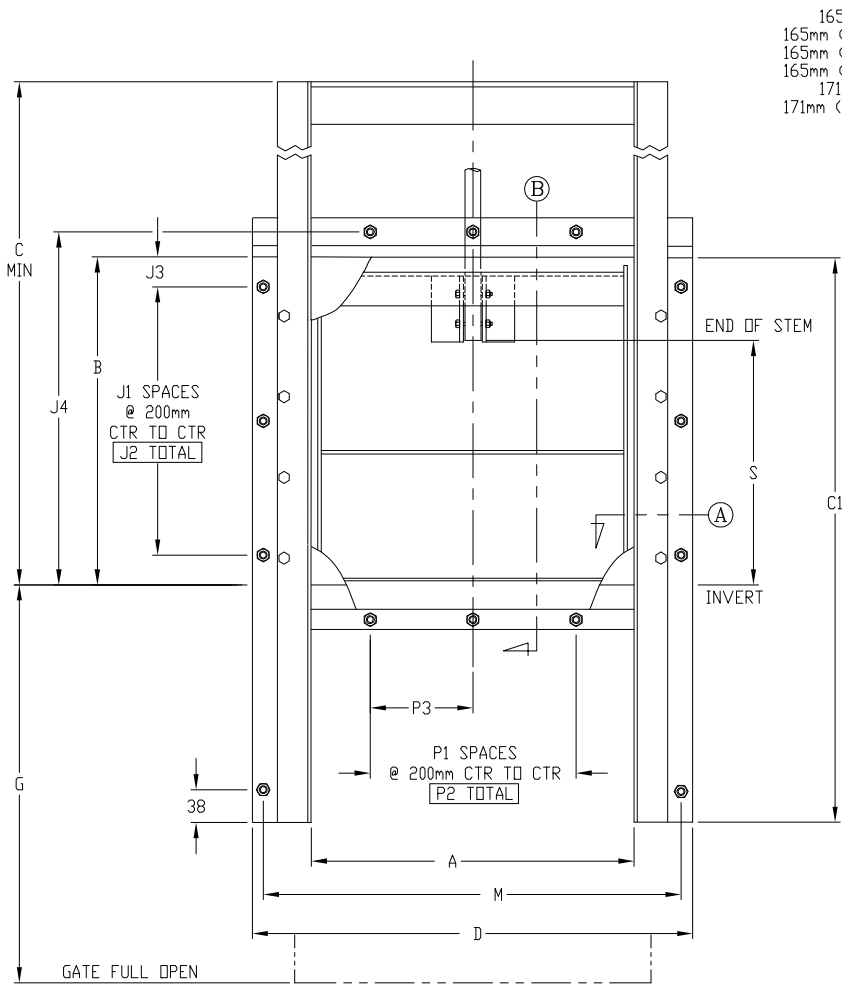
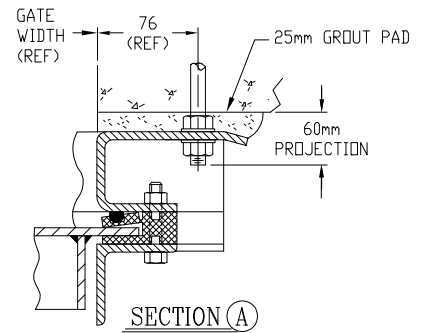
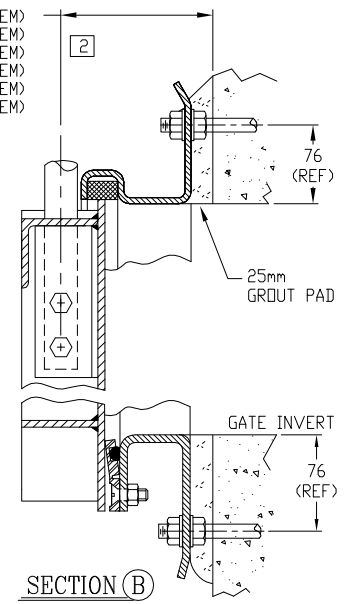


FOR PRELIMINARY DESIGN PURPOSES ONLY
 DO NOT USE FOR INSTALLATION UNLESS
 PART OF CERTIFIED & APPROVED SUBMITTAL



- 165mm (1 DIA STEM)
- 165mm (1-1/8 DIA STEM)
- 165mm (1-1/4 DIA STEM)
- 165mm (1-1/2 DIA STEM)
- 171mm (2 DIA STEM)
- 171mm (2-1/2 DIA STEM)



GATE SIZE A x B	C	C1	D	G	J1	J2	J3	J4	M	P1	P2	P3	S (RS)
200 x 200	450	334	454	264	0	0	100	276	352	0	0	0	22
250 x 250	500	417	504	314	1	200	25	326	402	1	200	100	72
300 x 300	550	500	554	364	1	200	50	376	452	1	200	100	122
300 x 380	630	634	554	444	1	200	75	456	452	1	200	100	202
300 x 450	700	750	554	514	2	400	25	526	452	1	200	100	272
300 x 600	850	1000	554	664	2	400	100	676	452	1	200	100	422
350 x 350	600	584	604	414	1	200	75	426	502	1	200	100	172

[2] ± 4mm ON THE STEM CENTERLINE DIMENSION.

1 ALL DIMENSIONS ARE IN MM

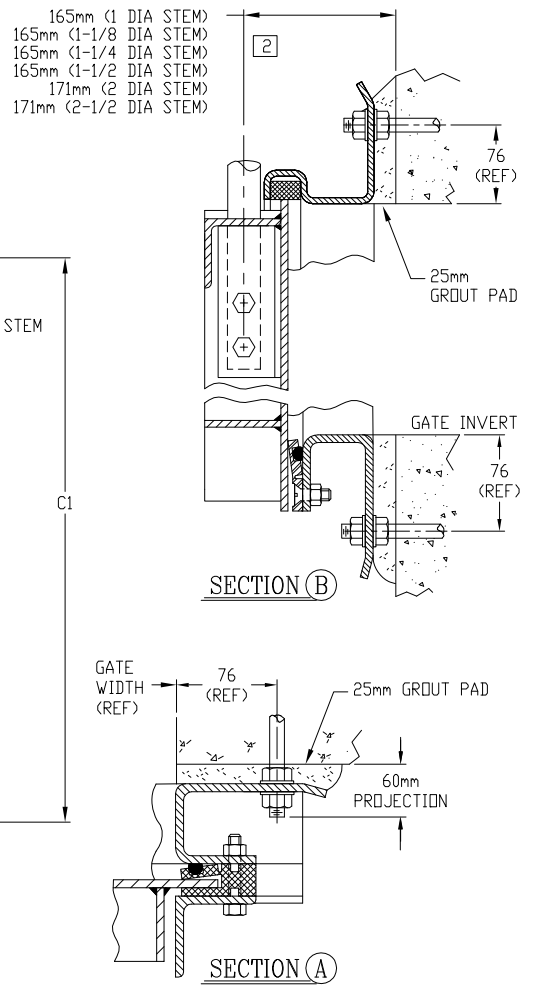
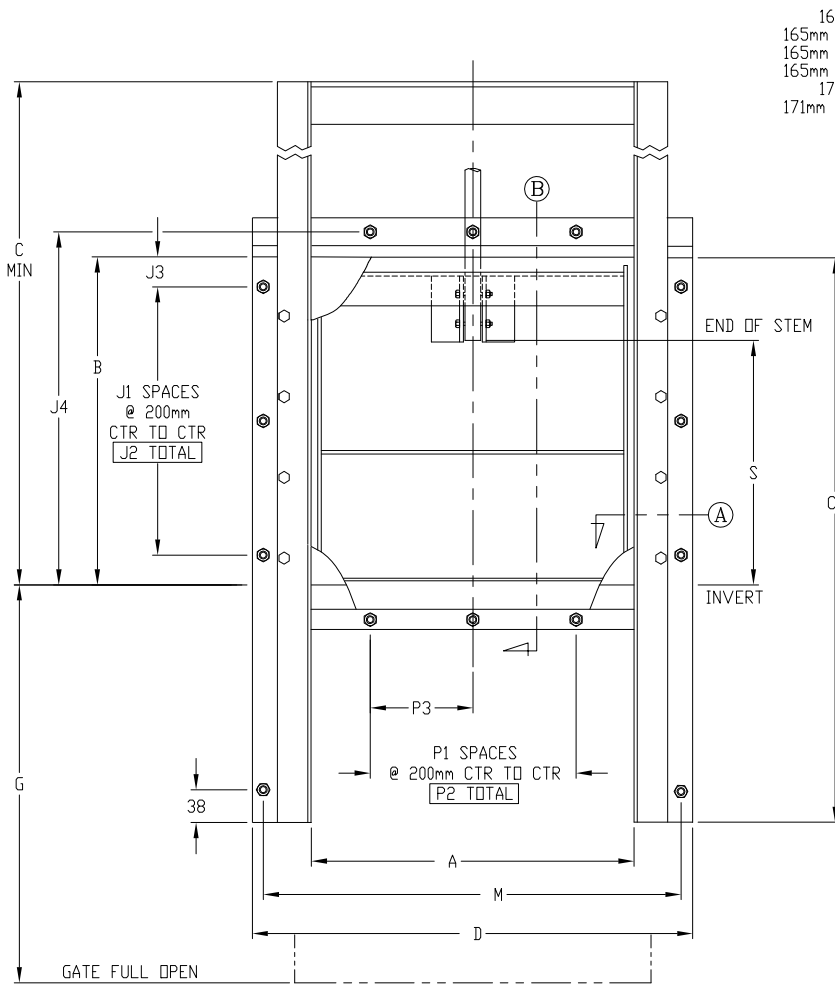
NOTES: UNLESS OTHERWISE SPECIFIED.

SS-252-1

REVISION	DATE	APPROVED
DRAWN BY KA	CHECKED BY	
SCALE NONE	DATE 15-03-05	
DRAWING NO. 100508	SHEET 1 OF 7	

WATERMAN INDUSTRIES OF EGYPT

FOR PRELIMINARY DESIGN PURPOSES ONLY
 DO NOT USE FOR INSTALLATION UNLESS
 PART OF CERTIFIED & APPROVED SUBMITTAL



GATE SIZE A x B	C	C1	D	G	J1	J2	J3	J4	M	P1	P2	P3	S
													(RS)
380 x 300	550	500	634	364	1	200	50	376	532	1	200	100	122
380 x 380	630	634	634	444	1	200	75	456	532	1	200	100	202
380 x 450	700	750	634	514	2	400	25	526	532	1	200	100	272
380 x 600	850	1000	634	664	2	400	100	676	532	1	200	100	422
380 x 750	1000	1250	634	814	3	600	75	826	532	1	200	100	572
400 x 400	650	667	654	464	1	200	100	476	552	1	200	100	222
450 x 300	550	500	704	364	1	200	50	376	602	2	400	200	122
450 x 450	700	750	704	514	2	400	25	526	602	2	400	200	272
450 x 600	850	1000	704	664	2	400	100	676	602	2	400	200	422
450 x 750	1000	1250	704	814	3	600	75	826	602	2	400	200	572
450 x 900	1150	1500	704	964	4	800	50	976	602	2	400	200	722
500 x 500	750	834	754	564	2	400	50	576	652	2	400	200	322
530 x 530	780	884	784	594	2	400	50	606	682	2	400	200	352

[2] ± 4mm ON THE STEM CENTERLINE DIMENSION.

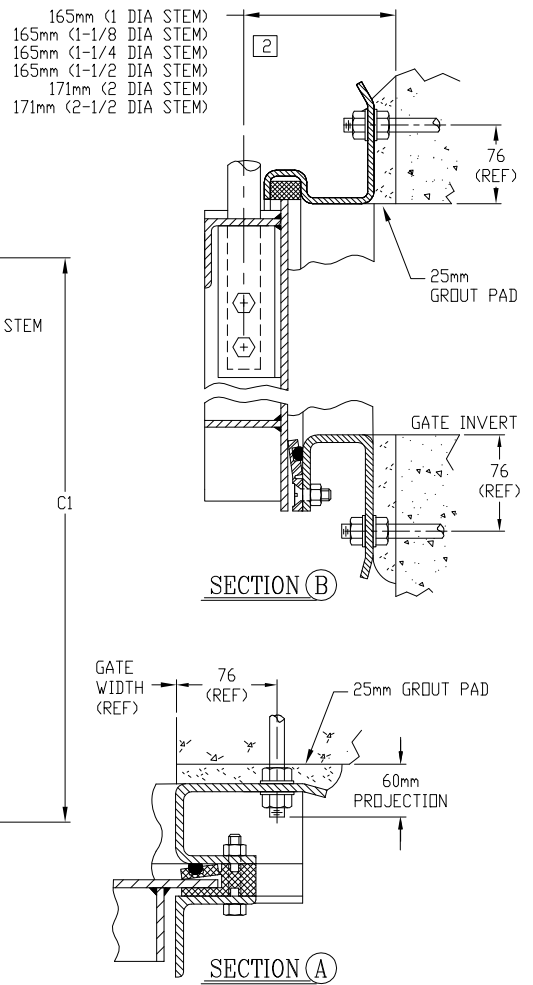
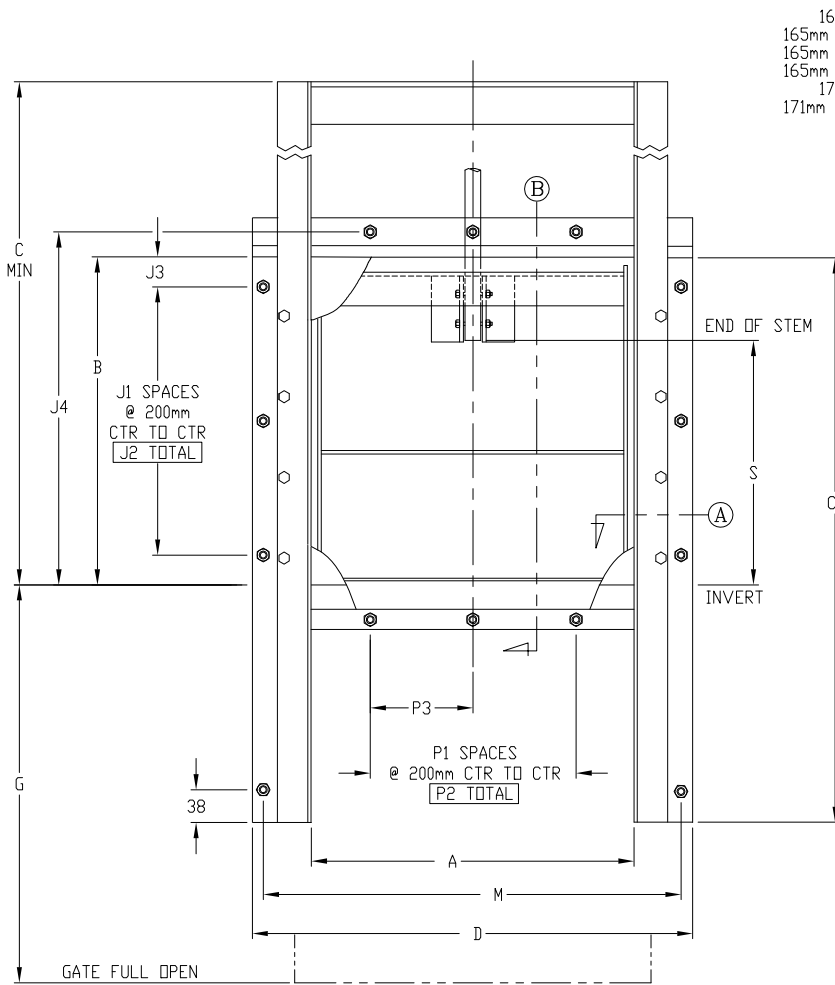
1 ALL DIMENSIONS ARE IN MM
 NOTES: UNLESS OTHERWISE SPECIFIED.

SS-252-1

REVISION	DATE	APPROVED
DRAWN BY KA	CHECKED BY	
SCALE NONE	DATE 15-03-05	
DRAWING NO. 100508	SHEET 2 OF 7	

WATERMAN INDUSTRIES OF EGYPT

FOR PRELIMINARY DESIGN PURPOSES ONLY
 DO NOT USE FOR INSTALLATION UNLESS
 PART OF CERTIFIED & APPROVED SUBMITTAL



GATE SIZE A x B	C	C1	D	G	J1	J2	J3	J4	M	P1	P2	P3	S
													(RS)
600 x 300	550	500	854	364	1	200	50	376	752	2	400	200	122
600 x 450	700	750	854	514	2	400	25	526	752	2	400	200	272
600 x 600	850	1000	854	664	2	400	100	676	752	2	400	200	422
600 x 750	1000	1250	854	814	3	600	75	826	752	2	400	200	572
600 x 900	1150	1500	854	964	4	800	50	976	752	2	400	200	722
600 x 1050	1300	1750	854	1114	5	1000	25	1126	752	2	400	200	872
600 x 1200	1450	2000	854	1264	5	1000	100	1276	752	2	400	200	1022
700 x 700	950	1167	954	764	3	600	50	776	852	3	600	300	522
750 x 450	700	750	1004	514	2	400	25	526	902	3	600	300	272
750 x 600	850	1000	1004	664	2	400	100	676	902	3	600	300	422
750 x 750	1000	1250	1004	814	3	600	75	826	902	3	600	300	572
750 x 900	1150	1500	1004	964	4	800	50	976	902	3	600	300	722
750 x 1050	1300	1750	1004	1114	5	1000	25	1126	902	3	600	300	872
750 x 1200	1450	2000	1004	1264	5	1000	100	1276	902	3	600	300	1022
750 x 1370	1620	2284	1004	1434	6	1200	75	1446	902	3	600	300	1192
750 x 1500	1750	2500	1004	1564	7	1400	50	1576	902	3	600	300	1322
800 x 800	1050	1334	1054	864	3	600	100	876	952	3	600	300	622

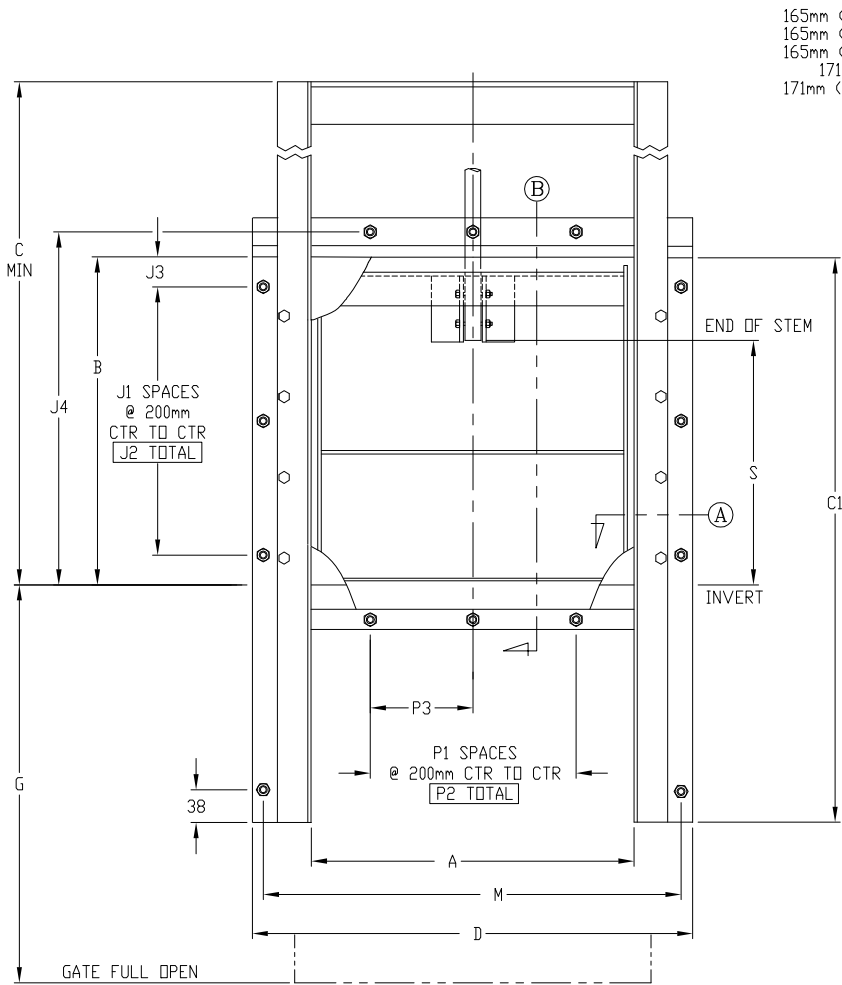
[2] ± 4mm ON THE STEM CENTERLINE DIMENSION.
 1 ALL DIMENSIONS ARE IN MM
 NOTES: UNLESS OTHERWISE SPECIFIED.

SS-252-1

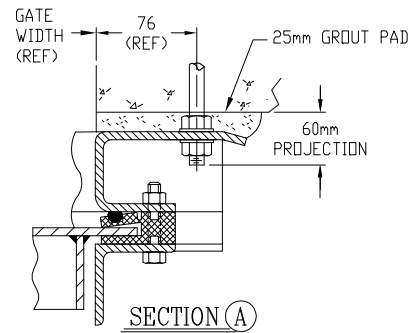
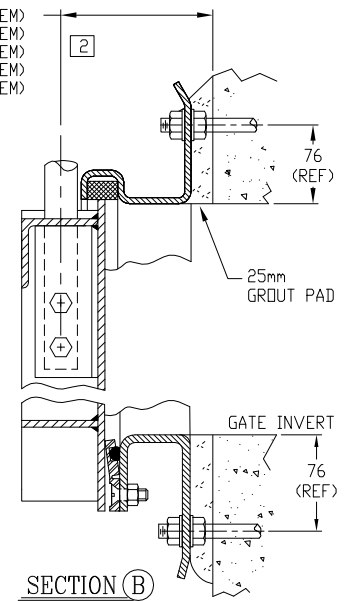
REVISION	DATE	APPROVED
DRAWN BY KA	CHECKED BY	
SCALE NONE	DATE 15-03-05	
DRAWING NO. 100508	SHEET 3 OF 7	

WATERMAN INDUSTRIES OF EGYPT

FOR PRELIMINARY DESIGN PURPOSES ONLY
 DO NOT USE FOR INSTALLATION UNLESS
 PART OF CERTIFIED & APPROVED SUBMITTAL



- 165mm (1-1/8 DIA STEM)
- 165mm (1-1/4 DIA STEM)
- 165mm (1-1/2 DIA STEM)
- 171mm (2 DIA STEM)
- 171mm (2-1/2 DIA STEM)



GATE SIZE	C	C1	D	G	J1	J2	J3	J4	M	P1	P2	P3	S
A x B													(RS)
900 x 450	700	750	1154	514	2	400	25	526	1052	4	800	400	272
900 x 600	850	1000	1154	664	2	400	100	676	1052	4	800	400	422
900 x 750	1000	1250	1154	814	3	600	75	826	1052	4	800	400	572
900 x 900	1150	1500	1154	964	4	800	50	976	1052	4	800	400	722
900 x 1050	1300	1750	1154	1114	5	1000	25	1126	1052	4	800	400	872
900 x 1200	1450	2000	1154	1264	5	1000	100	1276	1052	4	800	400	1022
900 x 1370	1620	2284	1154	1434	6	1200	75	1446	1052	4	800	400	1192
900 x 1500	1750	2500	1154	1564	7	1400	50	1576	1052	4	800	400	1322
900 x 1670	1920	2784	1154	1734	8	1600	25	1746	1052	4	800	400	1492
900 x 1800	2050	3000	1154	1864	8	1600	100	1876	1052	4	800	400	1622
1000 x 1000	1250	1667	1254	1064	4	800	100	1076	1152	4	800	400	822
1050 x 450	700	750	1304	514	2	400	25	526	1202	5	1000	500	272
1050 x 600	850	1000	1304	664	2	400	100	676	1202	5	1000	500	422
1050 x 750	1000	1250	1304	814	3	600	75	826	1202	5	1000	500	572
1050 x 900	1150	1500	1304	964	4	800	50	976	1202	5	1000	500	722
1050 x 1050	1300	1750	1304	1114	5	1000	25	1126	1202	5	1000	500	872
1050 x 1200	1450	2000	1304	1264	5	1000	100	1276	1202	5	1000	500	1022
1050 x 1370	1620	2284	1304	1434	6	1200	75	1446	1202	5	1000	500	1192
1050 x 1500	1750	2500	1304	1564	7	1400	50	1576	1202	5	1000	500	1322
1050 x 1670	1920	2784	1304	1734	8	1600	25	1746	1202	5	1000	500	1492
1050 x 1800	2050	3000	1304	1864	8	1600	100	1876	1202	5	1000	500	1622

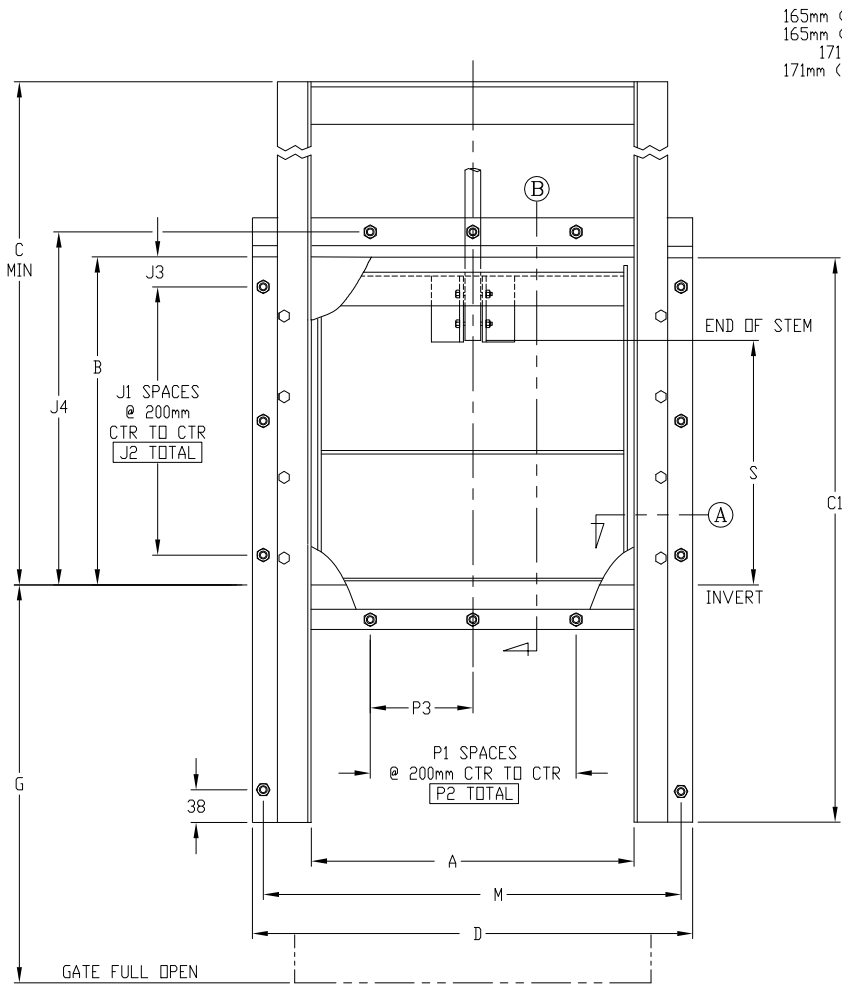
[2] ± 4mm ON THE STEM CENTERLINE DIMENSION.
 1 ALL DIMENSIONS ARE IN MM
 NOTES: UNLESS OTHERWISE SPECIFIED.

SS-252-1

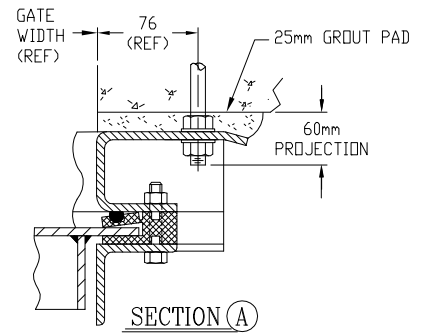
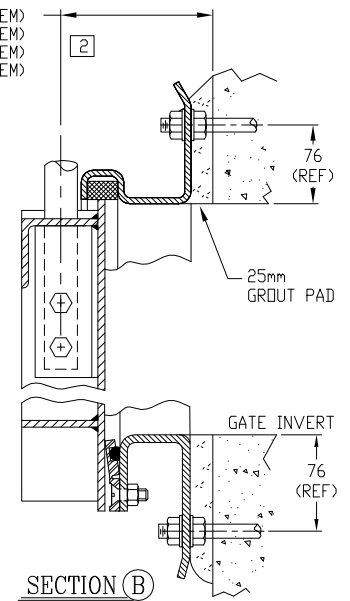
REVISION	DATE	APPROVED
DRAWN BY KA	CHECKED BY	
SCALE NONE	DATE 15-03-05	
DRAWING NO. 100508	SHEET 4 OF 7	

WATERMAN INDUSTRIES OF EGYPT

FOR PRELIMINARY DESIGN PURPOSES ONLY
 DO NOT USE FOR INSTALLATION UNLESS
 PART OF CERTIFIED & APPROVED SUBMITTAL



165mm (1-1/4 DIA STEM)
 165mm (1-1/2 DIA STEM)
 171mm (2 DIA STEM)
 171mm (2-1/2 DIA STEM)



GATE SIZE A x B	C	C1	D	G	J1	J2	J3	J4	M	P1	P2	P3	S (RS)
1100 x 1100	1350	1834	1354	1164	5	1000	50	1176	1252	5	1000	500	922
1200 x 600	850	1000	1454	664	2	400	100	676	1352	5	1000	500	422
1200 x 750	1000	1250	1454	814	3	600	75	826	1352	5	1000	500	572
1200 x 900	1150	1500	1454	964	4	800	50	976	1352	5	1000	500	722
1200 x 1050	1300	1750	1454	1114	5	1000	25	1126	1352	5	1000	500	872
1200 x 1200	1450	2000	1454	1264	5	1000	100	1276	1352	5	1000	500	1022
1200 x 1370	1620	2284	1454	1434	6	1200	75	1446	1352	5	1000	500	1192
1200 x 1500	1750	2500	1454	1564	7	1400	50	1576	1352	5	1000	500	1322
1200 x 1670	1920	2784	1454	1734	8	1600	25	1746	1352	5	1000	500	1492
1200 x 1800	2050	3000	1454	1864	8	1600	100	1876	1352	5	1000	500	1622
1300 x 1300	1550	2167	1554	1364	6	1200	50	1376	1452	6	1200	600	1122
1370 x 750	1000	1250	1624	814	3	600	75	826	1522	6	1200	600	572
1370 x 900	1150	1500	1624	964	4	800	50	976	1522	6	1200	600	722
1370 x 1050	1300	1750	1624	1114	5	1000	25	1126	1522	6	1200	600	872
1370 x 1200	1450	2000	1624	1264	5	1000	100	1276	1522	6	1200	600	1022
1370 x 1370	1620	2284	1624	1434	6	1200	75	1446	1522	6	1200	600	1192
1370 x 1500	1750	2500	1624	1564	7	1400	50	1576	1522	6	1200	600	1322
1370 x 1670	1920	2784	1624	1734	8	1600	25	1746	1522	6	1200	600	1492
1370 x 1800	2050	3000	1624	1864	8	1600	100	1876	1522	6	1200	600	1622

[2] ± 4mm ON THE STEM CENTERLINE DIMENSION.

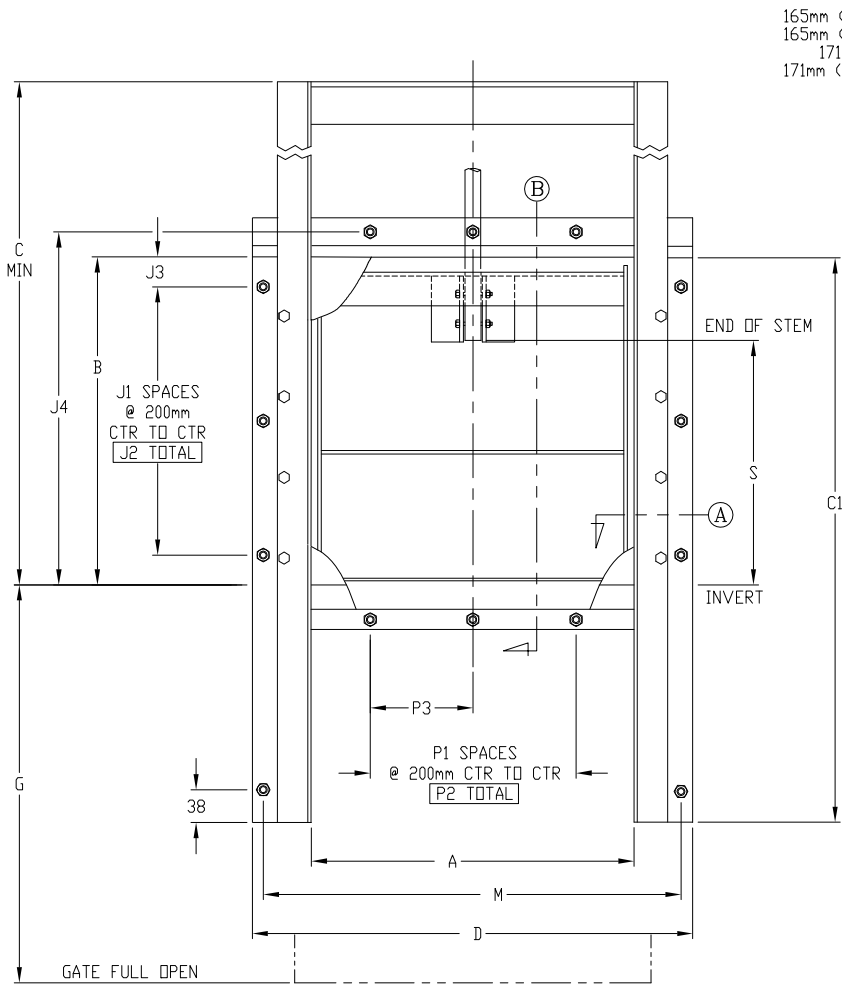
1 ALL DIMENSIONS ARE IN MM
 NOTES: UNLESS OTHERWISE SPECIFIED.

SS-252-1

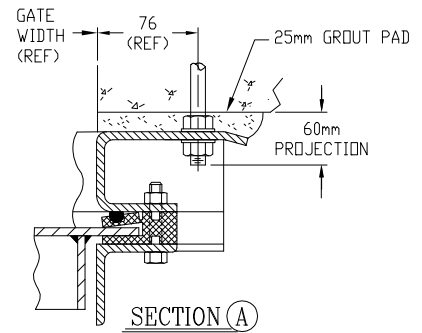
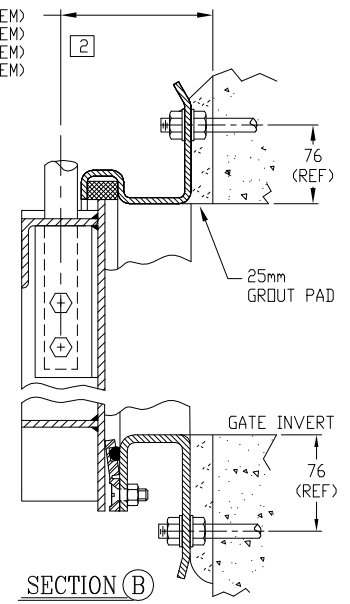
REVISION	DATE	APPROVED
DRAWN BY KA	CHECKED BY	
SCALE NONE	DATE 15-03-05	
DRAWING NO. 100508	SHEET 5 OF 7	

WATERMAN INDUSTRIES OF EGYPT

FOR PRELIMINARY DESIGN PURPOSES ONLY
 DO NOT USE FOR INSTALLATION UNLESS
 PART OF CERTIFIED & APPROVED SUBMITTAL



165mm (1-1/4 DIA STEM)
 165mm (1-1/2 DIA STEM)
 171mm (2 DIA STEM)
 171mm (2-1/2 DIA STEM)



GATE SIZE A x B	C	C1	D	G	J1	J2	J3	J4	M	P1	P2	P3	S (RS)
1400 x 1400	1650	2334	1654	1464	6	1200	100	1476	1552	6	1200	600	1222
1500 x 750	1000	1250	1754	814	3	600	75	826	1652	7	1400	700	572
1500 x 900	1150	1500	1754	964	4	800	50	976	1652	7	1400	700	722
1500 x 1050	1300	1750	1754	1114	5	1000	25	1126	1652	7	1400	700	872
1500 x 1200	1450	2000	1754	1264	5	1000	100	1276	1652	7	1400	700	1022
1500 x 1370	1620	2284	1754	1434	6	1200	75	1446	1652	7	1400	700	1192
1500 x 1500	1750	2500	1754	1564	7	1400	50	1576	1652	7	1400	700	1322
1500 x 1670	1920	2784	1754	1734	8	1600	25	1746	1652	7	1400	700	1492
1500 x 1800	2050	3000	1754	1864	8	1600	100	1876	1652	7	1400	700	1622
1600 x 1600	1850	2667	1854	1664	7	1400	100	1676	1752	7	1400	700	1422
1670 x 900	1150	1500	1924	964	4	800	50	976	1822	8	1600	800	722
1670 x 1050	1300	1750	1924	1114	5	1000	25	1126	1822	8	1600	800	872
1670 x 1200	1450	2000	1924	1264	5	1000	100	1276	1822	8	1600	800	1022
1670 x 1370	1620	2284	1924	1434	6	1200	75	1446	1822	8	1600	800	1192
1670 x 1500	1750	2500	1924	1564	7	1400	50	1576	1822	8	1600	800	1322
1670 x 1670	1920	2784	1924	1734	8	1600	25	1746	1822	8	1600	800	1492
1670 x 1800	2050	3000	1924	1864	8	1600	100	1876	1822	8	1600	800	1622

[2] ± 4mm ON THE STEM CENTERLINE DIMENSION.

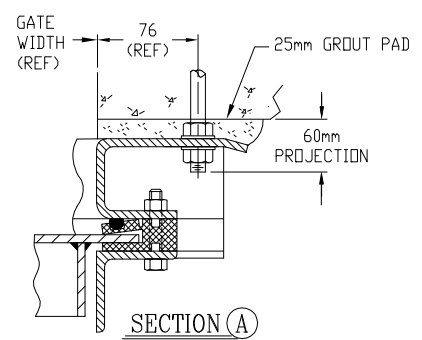
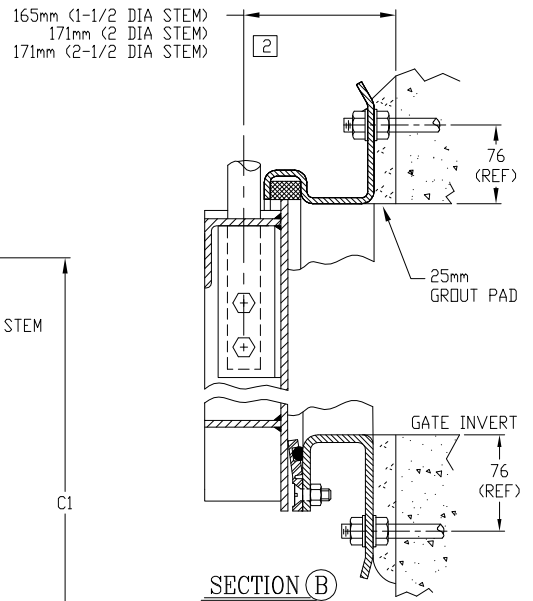
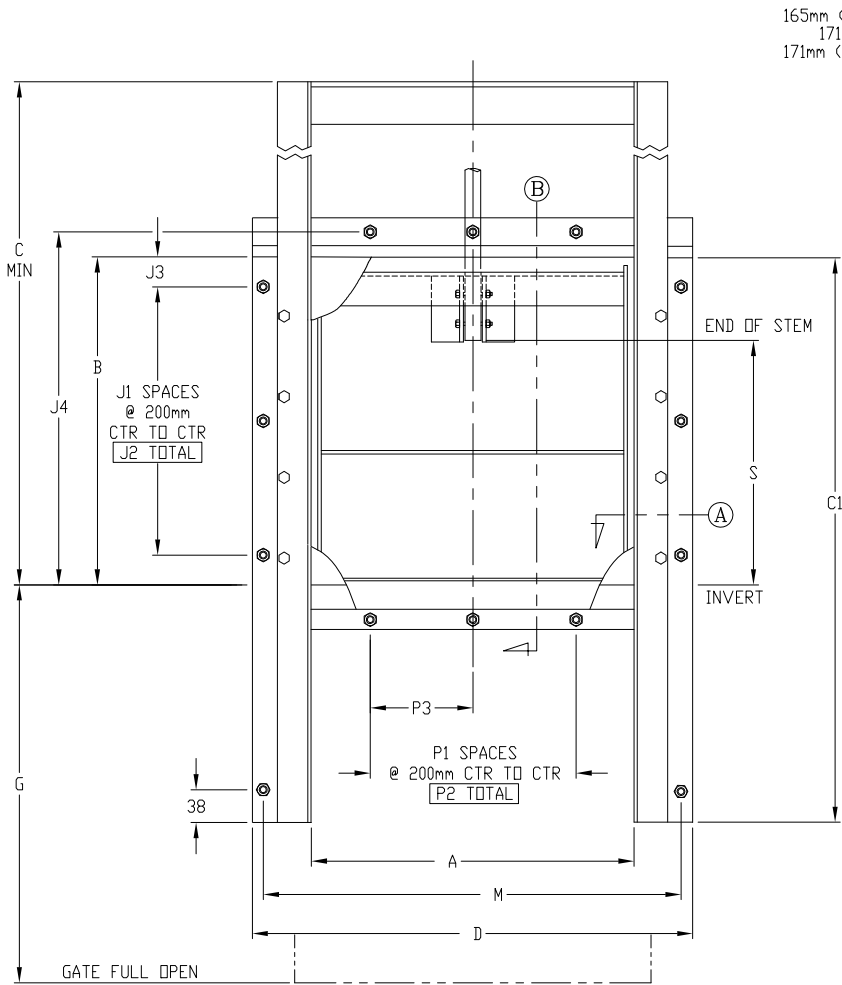
1 ALL DIMENSIONS ARE IN MM
 NOTES: UNLESS OTHERWISE SPECIFIED.

SS-252-1

REVISION	DATE	APPROVED
DRAWN BY KA	CHECKED BY	
SCALE NONE	DATE 15-03-05	
DRAWING NO. 100508	SHEET 6 OF 7	

WATERMAN INDUSTRIES OF EGYPT

FOR PRELIMINARY DESIGN PURPOSES ONLY
 DO NOT USE FOR INSTALLATION UNLESS
 PART OF CERTIFIED & APPROVED SUBMITTAL



GATE SIZE	C	C1	D	G	J1	J2	J3	J4	M	P1	P2	P3	S
A x B													(RS)
1700 x 1700	1950	2834	1954	1764	8	1600	50	1776	1852	8	1600	800	1522
1800 x 900	1150	1500	2054	964	4	800	50	976	1952	8	1600	800	722
1800 x 1050	1300	1750	2054	1114	5	1000	25	1126	1952	8	1600	800	872
1800 x 1200	1450	2000	2054	1264	5	1000	100	1276	1952	8	1600	800	1022
1800 x 1370	1620	2284	2054	1434	6	1200	75	1446	1952	8	1600	800	1192
1800 x 1500	1750	2500	2054	1564	7	1400	50	1576	1952	8	1600	800	1322
1800 x 1670	1920	2784	2054	1734	8	1600	25	1746	1952	8	1600	800	1492
1800 x 1800	2050	3000	2054	1864	8	1600	100	1876	1952	8	1600	800	1622

* STANDARD SIZES UPTO 1800mm x 1800mm ARE SHOWN. CONTACT THE FACTORY FOR OTHER SIZES.

[2] ± 4mm ON THE STEM CENTERLINE DIMENSION.

1 ALL DIMENSIONS ARE IN MM

NOTES: UNLESS OTHERWISE SPECIFIED.

SS-252-1

REVISION	DATE	APPROVED
DRAWN BY KA	CHECKED BY	
SCALE NONE	DATE 15-03-05	
DRAWING NO. 100508	SHEET 7 OF 7	

WATERMAN INDUSTRIES OF EGYPT