

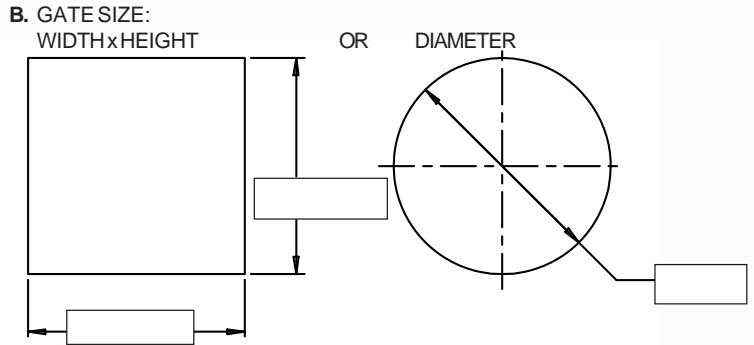
SS-250 SERIES SLIDE GATES

WATERMAN INDUSTRIES OF EGYPT APPLICATION SHEET FOR SS-250 SERIES

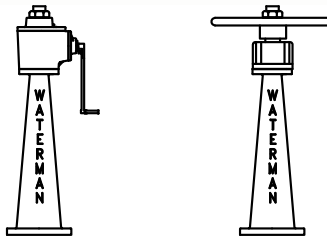
INSTRUCTIONS: PRINT THE SHEET, FILL IN DATA AND FAX TO: +202 3383 9698. OR SIMPLY FILL IN DATA AND CLICK **SUBMIT** TO EMAIL THE APPLICATION DIRECTLY TO: sales@waterman-industries.com FOR PROCESSING.

DATE: _____
 COMPANY: _____
 CONTACT PERSON: _____
 EMAIL: _____

- A.**
 _____ ITEM #
 _____ NUMBER OF GATES REQUIRED
- GATE MATERIAL
 ALUMINUM
 STEEL
 STAINLESS STEEL



C. HOIST REQUIREMENTS

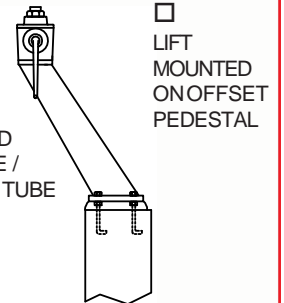
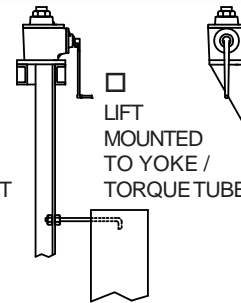
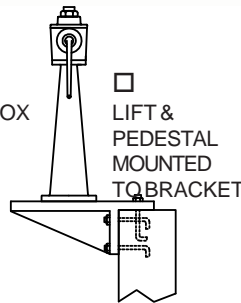
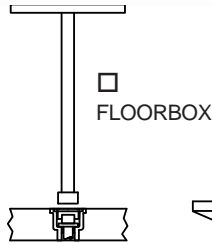
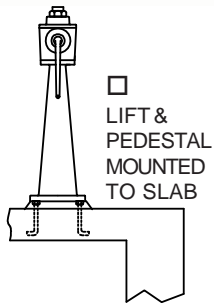


- MANUAL
 ELECTRIC
 CYLINDER OIL _____ VOLTS

- HANDCRANK HANDWHEEL
 _____ PHASE _____ CYCLES
 WATER AIR _____ PSI

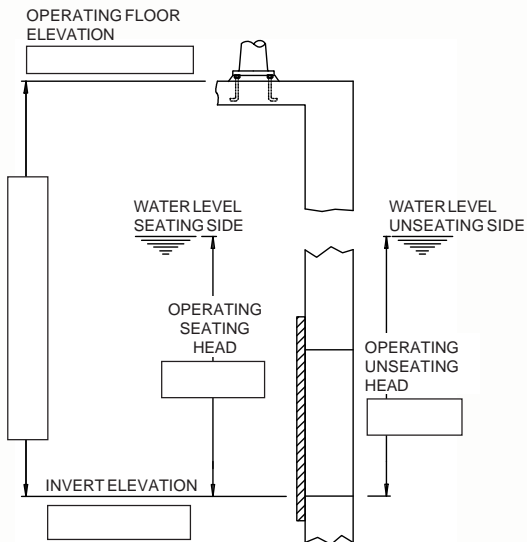
- STEM COVER
 CLEAR PLASTIC
 METAL
- POSITION INDICATOR
 MYLAR STRIP
 COUNTER
 DIAL
- RISING STEM
 NON-RISING STEM
 DOWNWARD OPENING (WEIR)

D. LIFT MOUNTING



SELF-CONTAINED

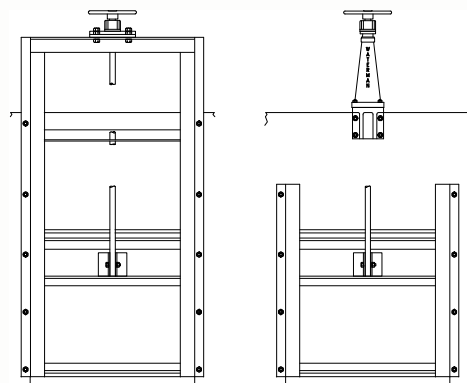
E. GATE DESIGN REQUIREMENTS



F. MISCELLANEOUS

- GATE MOUNTING TYPE:
 CHANNEL MOUNT "J" BULB SEALS
 WALL MOUNT UHMW BEARING STRIPS
 WEIR (DOWNWARD OPENING)
- EXISTING STRUCTURE
 NEW STRUCTURE

INVERT OF GATE IS FLUSH WITH INVERT OF STRUCTURE



- SELF-CONTAINED NON SELF-CONTAINED

G. REMARKS